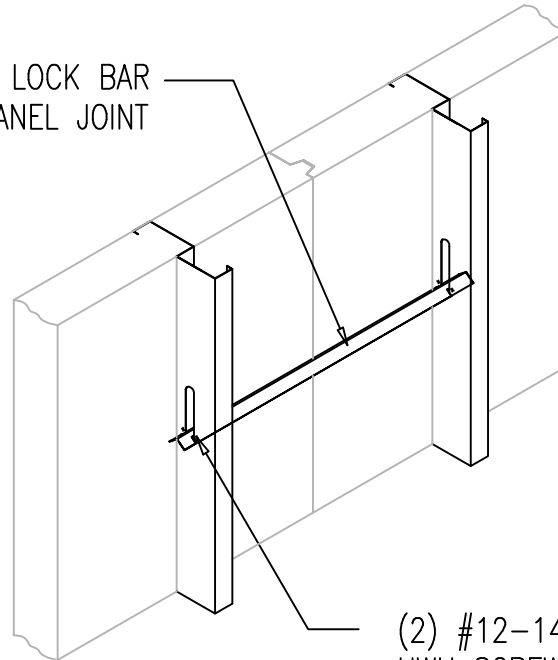


NOTE:

EACH END OF SPAZZER LOCK BAR MUST BE RIGIDLY FIXED OR OTHERWISE PREVENTED FROM MOVEMENT.

SPAZZER LOCK BAR
@ EACH PANEL JOINT



(2) #12-14x1"
HWH SCREWS ON EACH STUD
@ SPAZZER LOCK BAR
TO LOCK IN PLACE

© COPYRIGHT SYNTHEON INC., ALL RIGHTS RESERVED. THESE DRAWINGS AND MATERIALS CONTAIN INFORMATION AND DESIGNS WHICH ARE CONFIDENTIAL AND PROPRIETARY TO SYNTHEON INC. SYNTHEON INC. OWNS ALL RIGHTS IN AND TO THESE DRAWINGS AND MATERIALS, INCLUDING, BUT NOT LIMITED TO, COPYRIGHT, TRADE SECRET AND OTHER INTELLECTUAL PROPERTY RIGHTS. NO ONE MAY USE, COPY OR DISTRIBUTE ANY PORTION OF THESE DRAWINGS OR MATERIALS WITHOUT THE EXPRESS WRITTEN CONSENT OF SYNTHEON INC.

SYNTHEON INC. ASSUMES NO LIABILITY FROM INCORRECT APPLICATION OR INSTALLATION OF THE STEEL FRAMING SYSTEM. THE USE OF ANY COLD FORMED STEEL PRODUCTS THAT ARE NOT RECOMMENDED BY SYNTHEON INC. IS STRICTLY PROHIBITED AND WILL RESULT IN NULLIFICATION OF THE PROFESSIONAL ENGINEER'S SEAL AND ANY IMPLIED SUPPORT BY SYNTHEON INC. DESIGN GROUP. IF THE TITLE SHEET DOES NOT HAVE A PROFESSIONAL ENGINEER'S STAMP THEN COMPLETE AND DETAILED EVALUATION FOR PRODUCT SUITABILITY MUST BE ACCOMPLISHED BY OWNER'S ARCHITECT OR STRUCTURAL ENGINEER.

SYNTHEON™

ADVANCING THE BUILDING ENVELOPE

1555 Coraopolis Heights Road

Moon Township, Pennsylvania

Phone: 412-490-5037

Fax: 412-490-5066

accetE
Steel Thermal Efficient Panel

Revisions

| REV | Description | DATE |
|-----|-------------|------|
| ▲ | | |
| ▲ | | |
| ▲ | | |
| ▲ | | |

Project Information

JOB#

LATERAL BRACING DETAIL
SPAZZER LOCK BAR

Sheet Information

DATE: 08/16/10

SCALE: NO SCALE

DESIGNER:

DRAWN BY: BPC

CHECKED BY: DKC

LB2