



NFPA 285 W/ EXTERIOR SHEATHING ASSEMBLY REQUIREMENTS

- 285X-1 – CONTINUOUS GYPSUM CONDITION #1
- 285X-2 – CONTINUOUS GYPSUM CONDITION #2
- 285X-3 – DISCONTINUOUS GYPSUM CONDITION #1
- 285X-4 – DISCONTINUOUS GYPSUM CONDITION #2

© COPYRIGHT SYNTHEON INC. ALL RIGHTS RESERVED. THESE DRAWINGS AND MATERIALS CONTAIN INFORMATION AND DESIGNS WHICH ARE CONFIDENTIAL AND PROPRIETARY TO SYNTHEON INC. SYNTHEON INC. OWNS ALL RIGHTS IN AND TO THESE DRAWINGS AND MATERIALS, INCLUDING, BUT NOT LIMITED TO, COPYRIGHT, TRADE SECRET AND OTHER INTELLECTUAL PROPERTY RIGHTS. NO ONE MAY USE, COPY OR DISTRIBUTE ANY PORTION OF THESE DRAWINGS OR MATERIALS WITHOUT THE EXPRESS WRITTEN CONSENT OF SYNTHEON INC.

SYNTHEON INC. ASSUMES NO LIABILITY FROM INCORRECT APPLICATION OR INSTALLATION OF THE STEEL FRAMING SYSTEM. THE USE OF ANY COLD FORMED STEEL PRODUCTS THAT ARE NOT RECOMMENDED BY SYNTHEON INC. IS STRICTLY PROHIBITED AND WILL RESULT IN NULLIFICATION OF THE PROFESSIONAL ENGINEER'S SEAL AND ANY IMPLIED SUPPORT BY SYNTHEON INC. DESIGN GROUP. IF THE TITLE SHEET DOES NOT HAVE A PROFESSIONAL ENGINEERS STAMP THEN COMPLETE AND DETAILED EVALUATION FOR PRODUCT SUITABILITY MUST BE ACCOMPLISHED BY OWNER'S ARCHITECT OR STRUCTURAL ENGINEER.

Revisions

REV	Description	DATE
△		
△		
△		



ADVANCING THE BUILDING ENVELOPE

1555 Coraopolis Heights Road
Moon Township, Pennsylvania
Phone: 412-490-5037
Fax: 412-490-5066



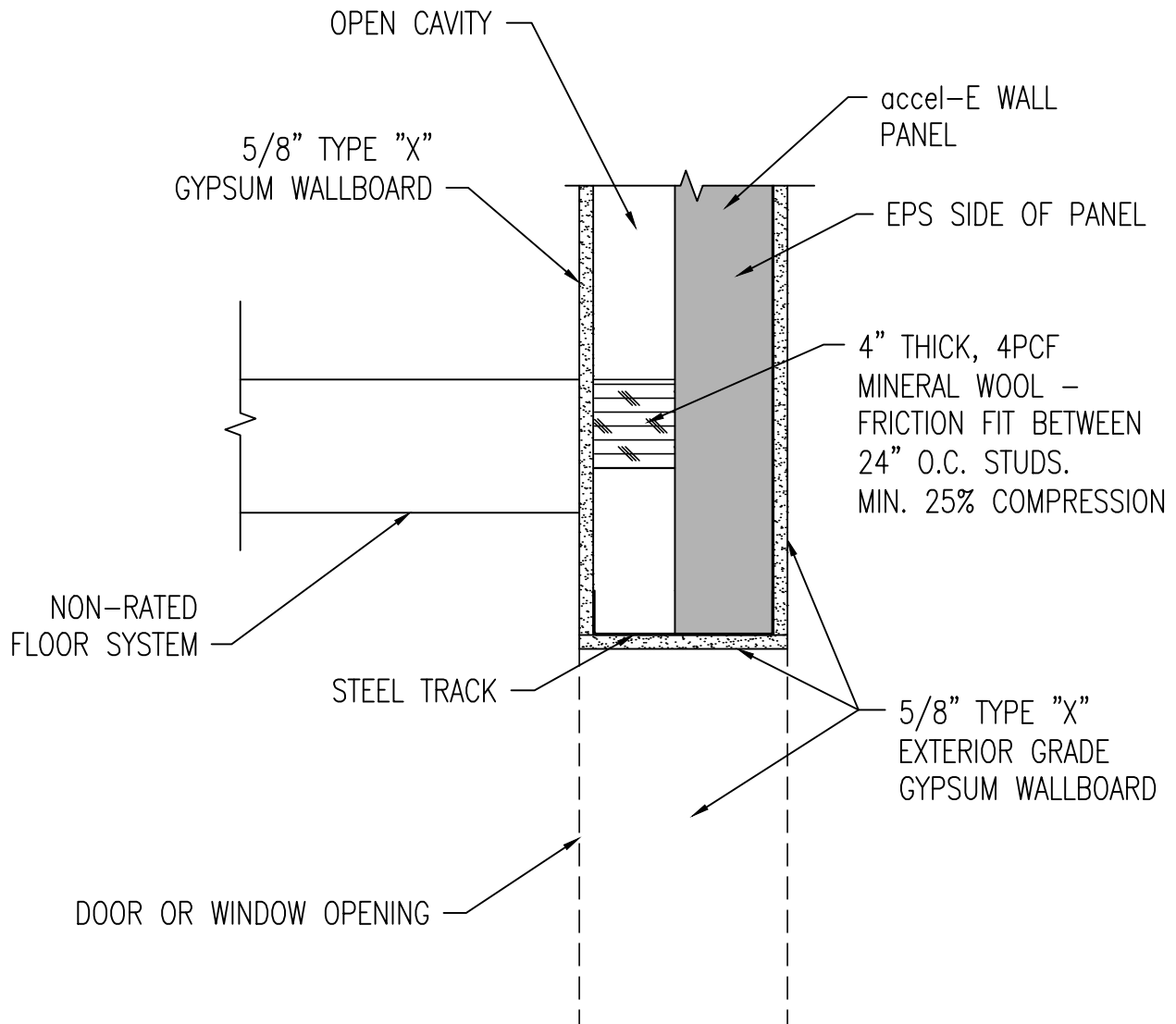
Project Information

NFPA 285
ASSEMBLY REQUIREMENT
FOR BYPASS
CONSTRUCTION WITH
EXTERIOR SHEATHING

Sheet Information

DATE:	
SCALE:	NONE
DESIGNER:	HUGHES ASSOCIATES
DRAWN BY:	CRB
CHECKED BY:	DKC

TITLE



○ CONTINUOUS GYPSUM CONDITION #1
 (CONTINUOUS INTERIOR GYPSUM WITHOUT GAP AT FLOOR SYSTEM)

© COPYRIGHT SYNTHEON INC. ALL RIGHTS RESERVED. THESE DRAWINGS AND MATERIALS CONTAIN INFORMATION AND DESIGNS WHICH ARE CONFIDENTIAL AND PROPRIETARY TO SYNTHEON INC. SYNTHEON INC. OWNS ALL RIGHTS IN AND TO THESE DRAWINGS AND MATERIALS, INCLUDING, BUT NOT LIMITED TO, COPYRIGHT, TRADE SECRET AND OTHER INTELLECTUAL PROPERTY RIGHTS. NO ONE MAY USE, COPY OR DISTRIBUTE ANY PORTION OF THESE DRAWINGS OR MATERIALS WITHOUT THE EXPRESS WRITTEN CONSENT OF SYNTHEON INC.

SYNTHEON INC. ASSUMES NO LIABILITY FROM INCORRECT APPLICATION OR INSTALLATION OF THE STEEL FRAMING SYSTEM. THE USE OF ANY COLD FORMED STEEL PRODUCTS THAT ARE NOT RECOMMENDED BY SYNTHEON INC. IS STRICTLY PROHIBITED AND WILL RESULT IN NULLIFICATION OF THE PROFESSIONAL ENGINEER'S SEAL AND ANY IMPLIED SUPPORT BY SYNTHEON INC. DESIGN GROUP. IF THE TITLE SHEET DOES NOT HAVE A PROFESSIONAL ENGINEER'S STAMP THEN COMPLETE AND DETAILED EVALUATION FOR PRODUCT SUITABILITY MUST BE ACCOMPLISHED BY OWNER'S ARCHITECT OR STRUCTURAL ENGINEER.

Revisions

REV	Description	DATE

SYNTHEON[™]

ADVANCING THE BUILDING ENVELOPE

1555 Coraopolis Heights Road
 Moon Township, Pennsylvania
 Phone: 412-490-5037
 Fax: 412-490-5066

accetE
 Steel Thermal Efficient Panel

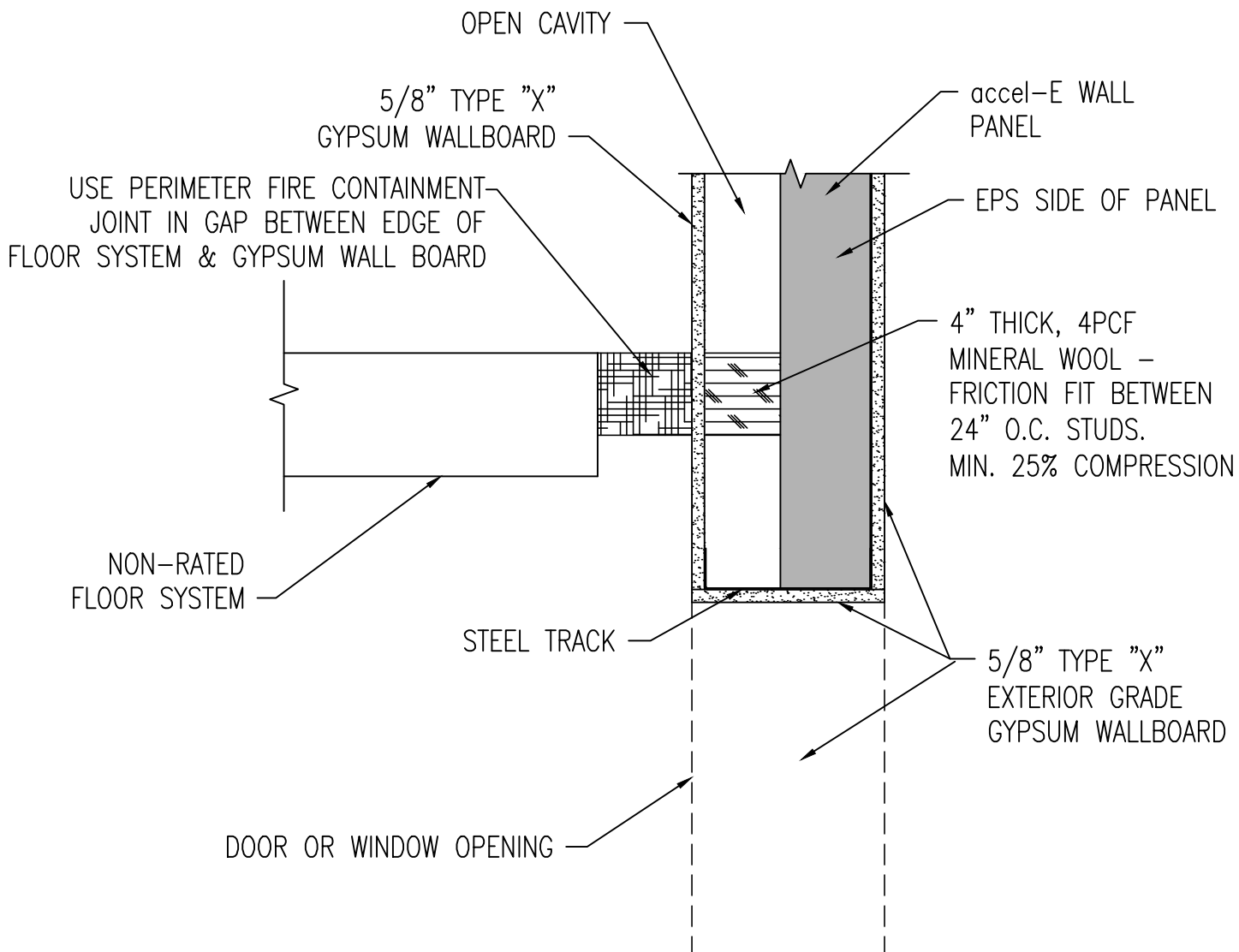
Project Information

NFPA 285
 ASSEMBLY REQUIREMENT
 FOR BYPASS
 CONSTRUCTION WITH
 EXTERIOR SHEATHING

Sheet Information

DATE:	
SCALE:	1 1/2" = 1'-0"
DESIGNER:	HUGHES ASSOCIATES
DRAWN BY:	CRB
CHECKED BY:	DKC

285X-1



○ CONTINUOUS GYPSUM CONDITION #2
 (CONTINUOUS INTERIOR GYPSUM WITH GAP AT FLOOR SYSTEM)

© COPYRIGHT SYNTHEON INC. ALL RIGHTS RESERVED. THESE DRAWINGS AND MATERIALS CONTAIN INFORMATION AND DESIGNS WHICH ARE CONFIDENTIAL AND PROPRIETARY TO SYNTHEON INC. SYNTHEON INC. OWNS ALL RIGHTS IN AND TO THESE DRAWINGS AND MATERIALS, INCLUDING, BUT NOT LIMITED TO, COPYRIGHT, TRADE SECRET AND OTHER INTELLECTUAL PROPERTY RIGHTS. NO ONE MAY USE, COPY OR DISTRIBUTE ANY PORTION OF THESE DRAWINGS OR MATERIALS WITHOUT THE EXPRESS WRITTEN CONSENT OF SYNTHEON INC.

SYNTHEON INC. ASSUMES NO LIABILITY FROM INCORRECT APPLICATION OR INSTALLATION OF THE STEEL FRAMING SYSTEM. THE USE OF ANY COLD FORMED STEEL PRODUCTS THAT ARE NOT RECOMMENDED BY SYNTHEON INC. IS STRICTLY PROHIBITED AND WILL RESULT IN NULLIFICATION OF THE PROFESSIONAL ENGINEER'S SEAL AND ANY IMPLIED SUPPORT BY SYNTHEON INC. DESIGN GROUP. IF THE TITLE SHEET DOES NOT HAVE A PROFESSIONAL ENGINEERS STAMP THEN COMPLETE AND DETAILED EVALUATION FOR PRODUCT SUITABILITY MUST BE ACCOMPLISHED BY OWNER'S ARCHITECT OR STRUCTURAL ENGINEER.

Revisions

REV	Description	DATE
△		
△		
△		

SYNTHEON[™]

ADVANCING THE BUILDING ENVELOPE

1555 Coraopolis Heights Road
 Moon Township, Pennsylvania
 Phone: 412-490-5037
 Fax: 412-490-5066

accetE
 Steel Thermal Efficient Panel

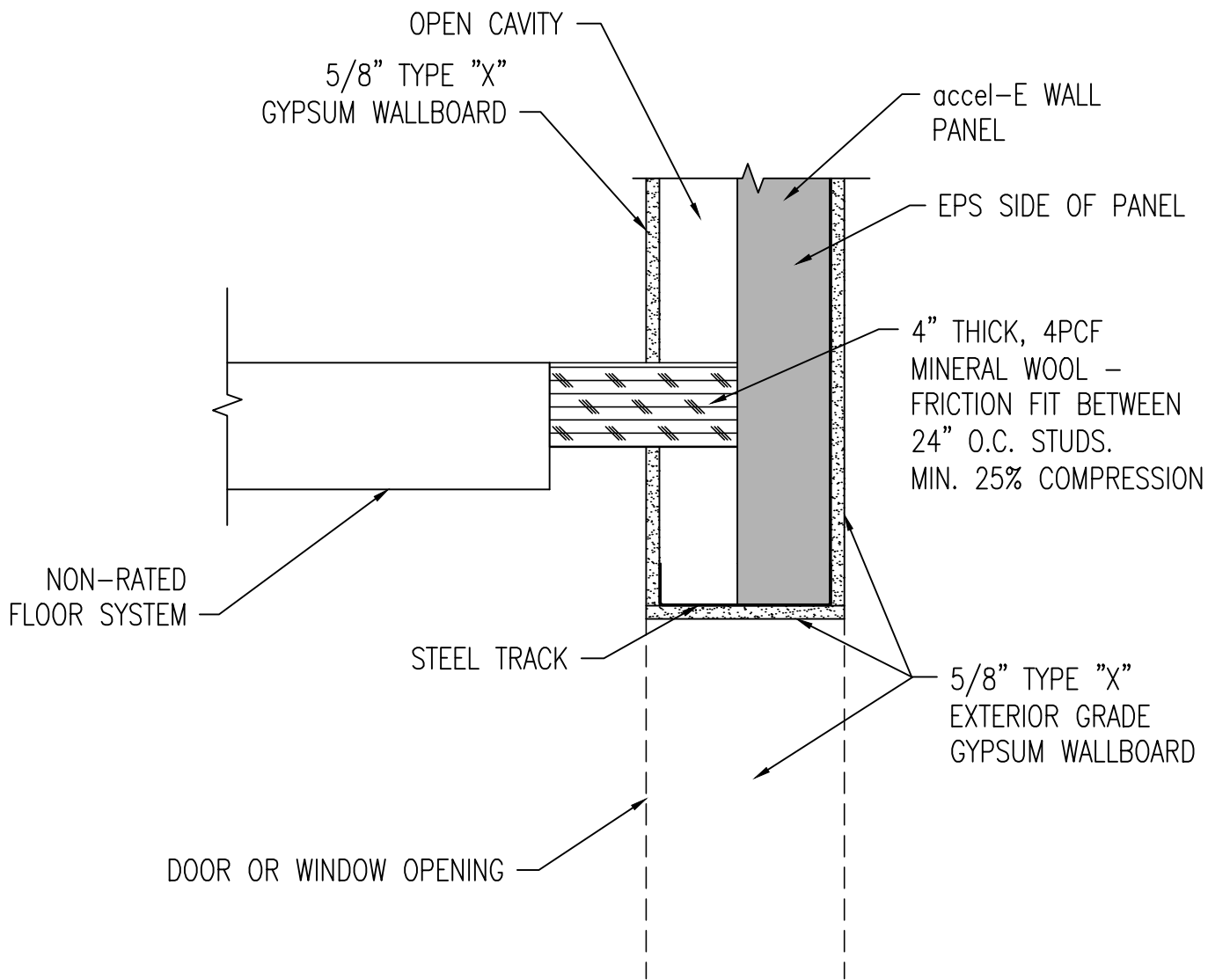
Project Information

NFPA 285
 ASSEMBLY REQUIREMENT
 FOR BYPASS
 CONSTRUCTION WITH
 EXTERIOR SHEATHING

Sheet Information

DATE:	
SCALE:	1 1/2" = 1'-0"
DESIGNER:	HUGHES ASSOCIATES
DRAWN BY:	CRB
CHECKED BY:	DKC

285X-2



○ DISCONTINUOUS GYPSUM CONDITION #1
 (DISCONTINUOUS INTERIOR GYPSUM WITH GAP AT FLOOR SYSTEM)

© COPYRIGHT SYNTHEON INC. ALL RIGHTS RESERVED. THESE DRAWINGS AND MATERIALS CONTAIN INFORMATION AND DESIGNS WHICH ARE CONFIDENTIAL AND PROPRIETARY TO SYNTHEON INC. SYNTHEON INC. OWNS ALL RIGHTS IN AND TO THESE DRAWINGS AND MATERIALS, INCLUDING, BUT NOT LIMITED TO, COPYRIGHT, TRADE SECRET AND OTHER INTELLECTUAL PROPERTY RIGHTS. NO ONE MAY USE, COPY OR DISTRIBUTE ANY PORTION OF THESE DRAWINGS OR MATERIALS WITHOUT THE EXPRESS WRITTEN CONSENT OF SYNTHEON INC.

SYNTHEON INC. ASSUMES NO LIABILITY FROM INCORRECT APPLICATION OR INSTALLATION OF THE STEEL FRAMING SYSTEM. THE USE OF ANY COLD FORMED STEEL PRODUCTS THAT ARE NOT RECOMMENDED BY SYNTHEON INC. IS STRICTLY PROHIBITED AND WILL RESULT IN NULLIFICATION OF THE PROFESSIONAL ENGINEER'S SEAL AND ANY IMPLIED SUPPORT BY SYNTHEON INC. DESIGN GROUP. IF THE TITLE SHEET DOES NOT HAVE A PROFESSIONAL ENGINEERS STAMP THEN COMPLETE AND DETAILED EVALUATION FOR PRODUCT SUITABILITY MUST BE ACCOMPLISHED BY OWNER'S ARCHITECT OR STRUCTURAL ENGINEER.

Revisions

REV	Description	DATE

SYNTHEON[™]

ADVANCING THE BUILDING ENVELOPE

1555 Coraopolis Heights Road
 Moon Township, Pennsylvania
 Phone: 412-490-5037
 Fax: 412-490-5066

accetE
 Steel Thermal Efficient Panel

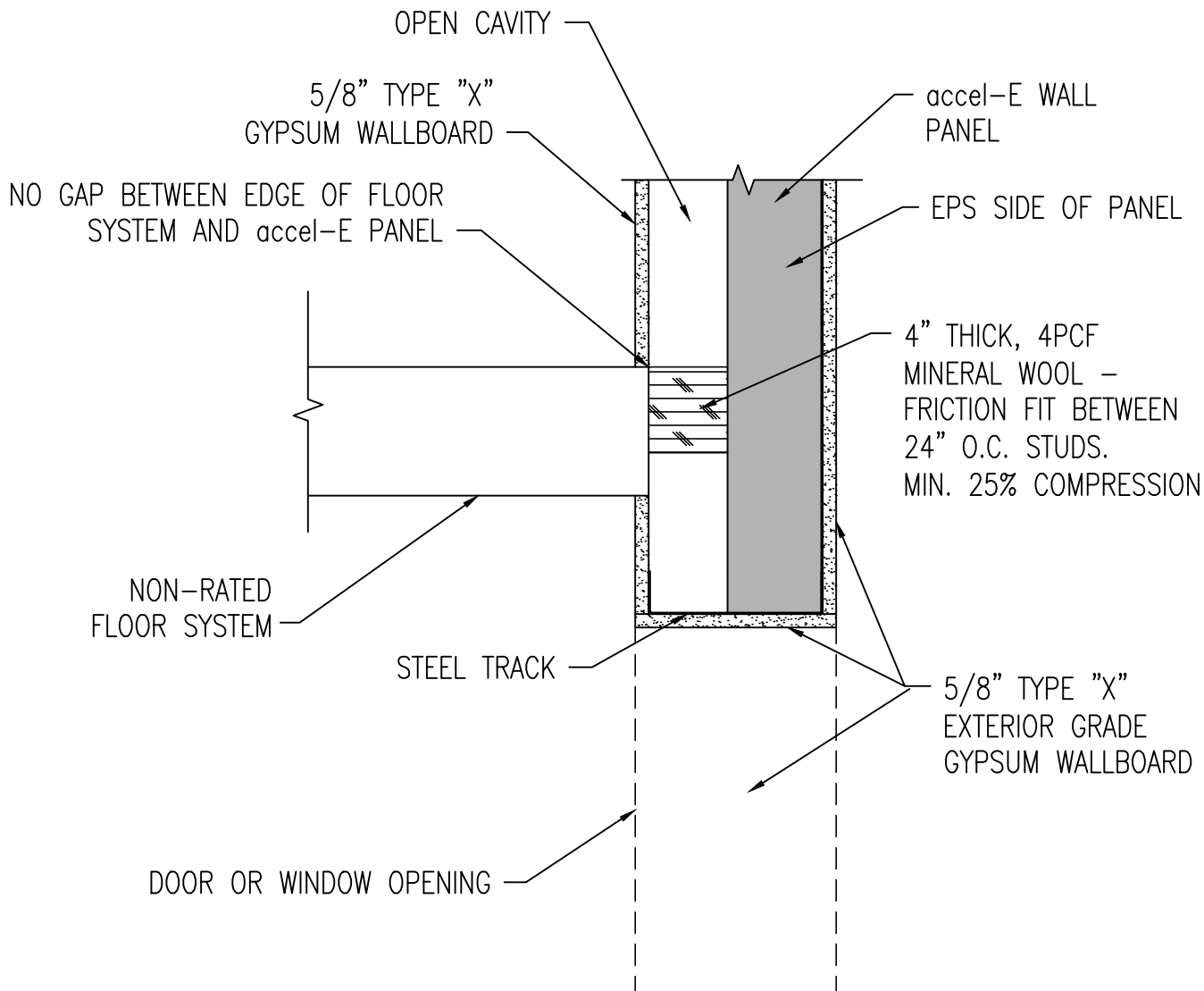
Project Information

NFPA 285
 ASSEMBLY REQUIREMENT
 FOR BYPASS
 CONSTRUCTION WITH
 EXTERIOR SHEATHING

Sheet Information

DATE:	
SCALE:	1 1/2" = 1'-0"
DESIGNER:	HUGHES ASSOCIATES
DRAWN BY:	CRB
CHECKED BY:	DKC

285X-3



○ DISCONTINUOUS GYPSUM CONDITION #2
 (DISCONTINUOUS INTERIOR GYPSUM WITHOUT GAP AT FLOOR SYSTEM)

© COPYRIGHT SYNTHEON INC. ALL RIGHTS RESERVED. THESE DRAWINGS AND MATERIALS CONTAIN INFORMATION AND DESIGNS WHICH ARE CONFIDENTIAL AND PROPRIETARY TO SYNTHEON INC. SYNTHEON INC. OWNS ALL RIGHTS IN AND TO THESE DRAWINGS AND MATERIALS, INCLUDING, BUT NOT LIMITED TO, COPYRIGHT, TRADE SECRET AND OTHER INTELLECTUAL PROPERTY RIGHTS. NO ONE MAY USE, COPY OR DISTRIBUTE ANY PORTION OF THESE DRAWINGS OR MATERIALS WITHOUT THE EXPRESS WRITTEN CONSENT OF SYNTHEON INC.

SYNTHEON INC. ASSUMES NO LIABILITY FROM INCORRECT APPLICATION OR INSTALLATION OF THE STEEL FRAMING SYSTEM. THE USE OF ANY COLD FORMED STEEL PRODUCTS THAT ARE NOT RECOMMENDED BY SYNTHEON INC. IS STRICTLY PROHIBITED AND WILL RESULT IN NULLIFICATION OF THE PROFESSIONAL ENGINEER'S SEAL AND ANY IMPLIED SUPPORT BY SYNTHEON INC. DESIGN GROUP. IF THE TITLE SHEET DOES NOT HAVE A PROFESSIONAL ENGINEERS STAMP THEN COMPLETE AND DETAILED EVALUATION FOR PRODUCT SUITABILITY MUST BE ACCOMPLISHED BY OWNER'S ARCHITECT OR STRUCTURAL ENGINEER.

Revisions		
REV	Description	DATE

SYNTHEON™
 ADVANCING THE BUILDING ENVELOPE
 1555 Coraopolis Heights Road
 Moon Township, Pennsylvania
 Phone: 412-490-5037
 Fax: 412-490-5066

accetE
 Steel Thermal Efficient Panel

Project Information
 NFPA 285
 ASSEMBLY REQUIREMENT FOR BYPASS CONSTRUCTION WITH EXTERIOR SHEATHING

Sheet Information

DATE:	
SCALE:	1 1/2" = 1'-0"
DESIGNER:	HUGHES ASSOCIATES
DRAWN BY:	CRB
CHECKED BY:	DKC

285X-4