



# IN-LINE FRAMING GUIDE

- IL-1 - IN-LINE FRAMING ISO
- IL-2 - IN-LINE FRAMING DETAIL
- IL-3 - OFF LAYOUT FRAMING

© COPYRIGHT SYNTHEON INC., ALL RIGHTS RESERVED. THESE DRAWINGS AND MATERIALS CONTAIN INFORMATION AND DESIGNS WHICH ARE CONFIDENTIAL AND PROPRIETARY TO SYNTHEON INC. SYNTHEON INC. OWNS ALL RIGHTS IN AND TO THESE DRAWINGS AND MATERIALS, INCLUDING, BUT NOT LIMITED TO, COPYRIGHT, TRADE SECRET AND OTHER INTELLECTUAL PROPERTY RIGHTS. NO ONE MAY USE, COPY OR DISTRIBUTE ANY PORTION OF THESE DRAWINGS OR MATERIALS WITHOUT THE EXPRESS WRITTEN CONSENT OF SYNTHEON INC.

SYNTHEON INC. ASSUMES NO LIABILITY FROM INCORRECT APPLICATION OR INSTALLATION OF THE STEEL FRAMING SYSTEM. THE USE OF ANY COLD FORMED STEEL PRODUCTS THAT ARE NOT RECOMMENDED BY SYNTHEON INC. IS STRICTLY PROHIBITED AND WILL RESULT IN NULLIFICATION OF THE PROFESSIONAL ENGINEER'S SEAL AND ANY IMPLIED SUPPORT BY SYNTHEON INC. DESIGN GROUP. IF THE TITLE SHEET DOES NOT HAVE A PROFESSIONAL ENGINEERS STAMP THEN COMPLETE AND DETAILED EVALUATION FOR PRODUCT SUITABILITY MUST BE ACCOMPLISHED BY OWNER'S ARCHITECT OR STRUCTURAL ENGINEER.

### Revisions

REV	Description	DATE
△		
△		
△		

**SYNTHEON™**

ADVANCING THE BUILDING ENVELOPE

1555 Coraopolis Heights Road  
Moon Township, Pennsylvania  
Phone: 412-490-5037  
Fax: 412-490-5066



### Project Information

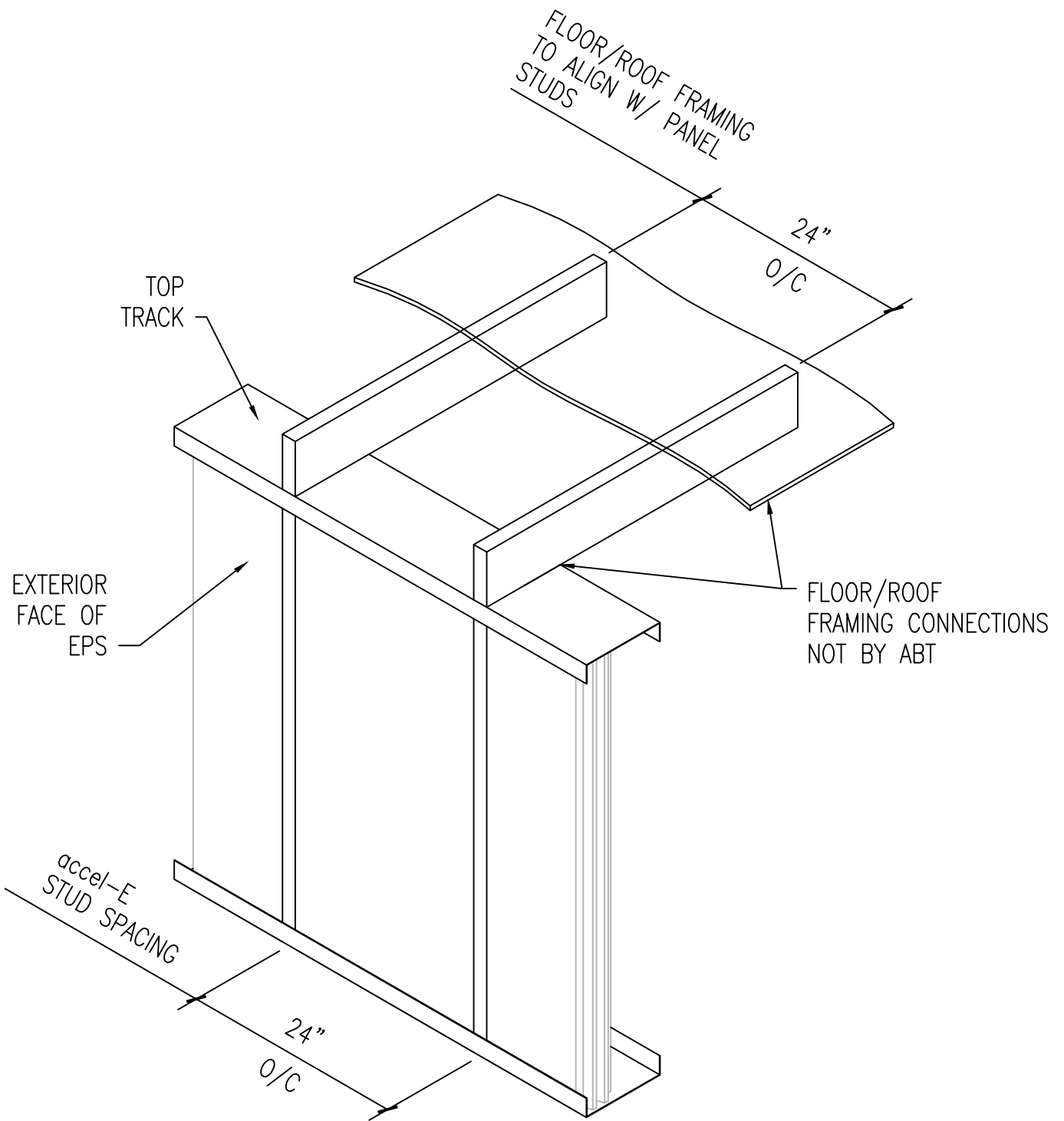
INLINE FRAMING GUIDE

### Sheet Information

IN-LINE FRAMING DETAIL

DATE:	
SCALE:	3/4"=1'-0"
DESIGNER:	
DRAWN BY:	BPC
CHECKED BY:	

**TITLE**



© COPYRIGHT SYNTHEON INC., ALL RIGHTS RESERVED. THESE DRAWINGS AND MATERIALS CONTAIN INFORMATION AND DESIGNS WHICH ARE CONFIDENTIAL AND PROPRIETARY TO SYNTHEON INC. SYNTHEON INC. OWNS ALL RIGHTS IN AND TO THESE DRAWINGS AND MATERIALS, INCLUDING, BUT NOT LIMITED TO, COPYRIGHT, TRADE SECRET AND OTHER INTELLECTUAL PROPERTY RIGHTS. NO ONE MAY USE, COPY OR DISTRIBUTE ANY PORTION OF THESE DRAWINGS OR MATERIALS WITHOUT THE EXPRESS WRITTEN CONSENT OF SYNTHEON INC.

SYNTHEON INC. ASSUMES NO LIABILITY FROM INCORRECT APPLICATION OR INSTALLATION OF THE STEEL FRAMING SYSTEM. THE USE OF ANY COLD FORMED STEEL PRODUCTS THAT ARE NOT RECOMMENDED BY SYNTHEON INC. IS STRICTLY PROHIBITED AND WILL RESULT IN NULLIFICATION OF THE PROFESSIONAL ENGINEER'S SEAL AND ANY IMPLIED SUPPORT BY SYNTHEON INC. DESIGN GROUP. IF THE TITLE SHEET DOES NOT HAVE A PROFESSIONAL ENGINEERS STAMP THEN COMPLETE AND DETAILED EVALUATION FOR PRODUCT SUITABILITY MUST BE ACCOMPLISHED BY OWNER'S ARCHITECT OR STRUCTURAL ENGINEER.

Revisions

REV	Description	DATE

**SYNTHEON™**

ADVANCING THE BUILDING ENVELOPE

1555 Coraopolis Heights Road  
Moon Township, Pennsylvania  
Phone: 412-490-5037  
Fax: 412-490-5066

**accetE**  
Steel Thermal Efficient Panel

Project Information

INLINE FRAMING GUIDE

Sheet Information

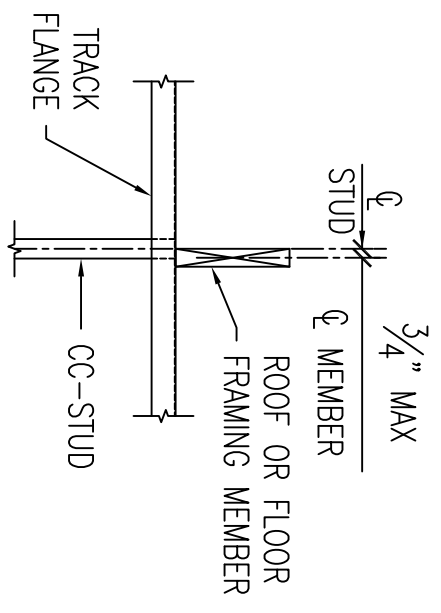
IN-LINE FRAMING DETAIL

DATE:	
SCALE:	3/4"=1'-0"
DESIGNER:	
DRAWN BY:	BPC
CHECKED BY:	

**IL-1**

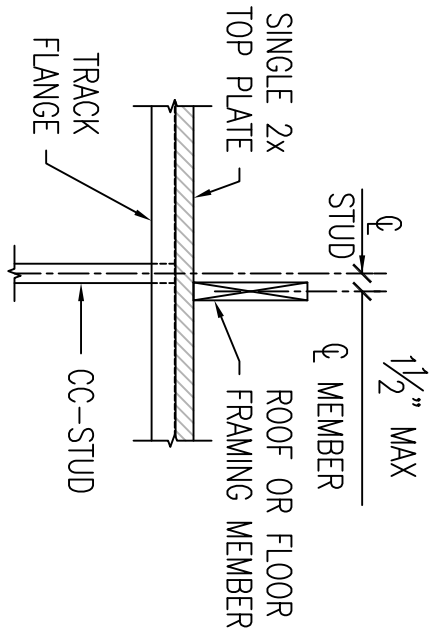
© COPYRIGHT SYNTHENON INC. ALL RIGHTS RESERVED. THESE DRAWINGS AND ALL TECHNICAL SPECIFICATIONS AND DETAILS WHICH ARE CONFIDENTIAL AND PROPRIETARY TO SYNTHENON INC. SYNTHENON INC. OWNS ALL RIGHTS IN AND TO THESE DRAWINGS AND MATERIALS, INCLUDING, BUT NOT LIMITED TO, COPYRIGHT, TRADE SECRET AND OTHER INTELLECTUAL PROPERTY RIGHTS. NO ONE MAY USE, COPY OR DISTRIBUTE ANY PORTION OF THESE DRAWINGS OR MATERIALS WITHOUT THE EXPRESS WRITTEN CONSENT OF SYNTHENON INC.

SYNTHENON INC. ASSUMES NO LIABILITY FROM INCORRECT APPLICATION OR MISUSE OF THE STEEL FRAMING SYSTEM. THE DESIGNER SHALL BE RESPONSIBLE FOR THE DESIGN AND NOT RECOMMENDED BY SYNTHENON INC. IS STRICTLY PROHIBITED AND WILL RESULT IN NULLIFICATION OF THE PROFESSIONAL ENGINEER'S SEAL AND ANY IMPLIED SUPPORT BY SYNTHENON INC. DESIGN GROUP. IF THE TITLE SHEET DOES NOT HAVE A PROFESSIONAL ENGINEER'S STAMP THEN COMPLETE AND DETAILED EVALUATION FOR PRODUCT SUITABILITY MUST BE ACCOMPLISHED BY OWNER'S ARCHITECT OR STRUCTURAL ENGINEER.



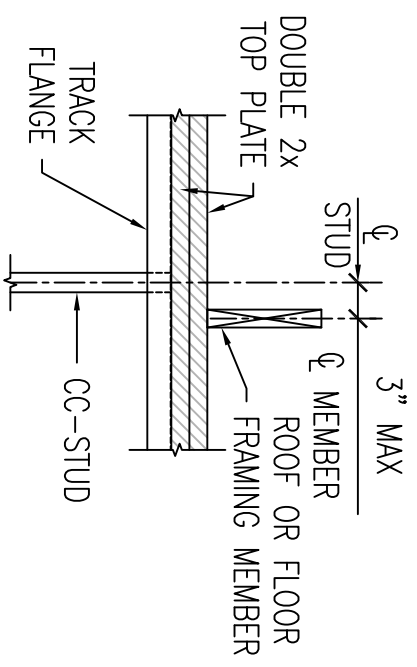
NOTE: EPS NOT SHOWN FOR CLARITY

1 ROOF/FLOOR FRAMING  
N.T.S.



NOTE: EPS NOT SHOWN FOR CLARITY

2 ROOF/FLOOR FRAMING  
N.T.S.



NOTE: EPS NOT SHOWN FOR CLARITY

3 ROOF/FLOOR FRAMING  
N.T.S.

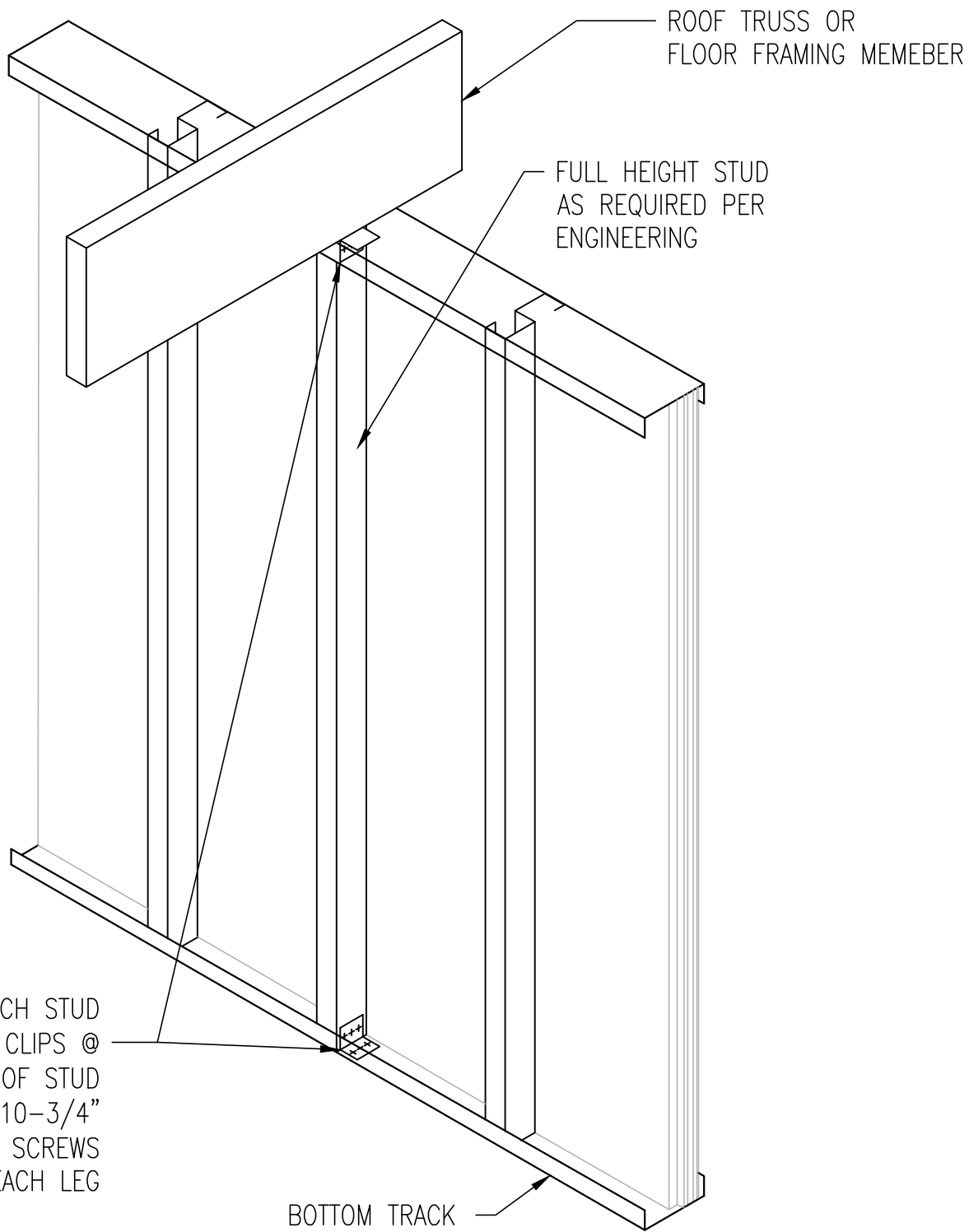
REV	Description	DATE

Project Information  
**INLINE FRAMING GUIDE**

Sheet Information

**INLINE FRAMING DETAILS**

DATE:	09/09/08
SCALE:	3/4"=1'-0"
DESIGNER:	BPC
DRAWN BY:	DKC
CHECKED BY:	DKC



© COPYRIGHT SYNTHEON INC., ALL RIGHTS RESERVED. THESE DRAWINGS AND MATERIALS CONTAIN INFORMATION AND DESIGNS WHICH ARE CONFIDENTIAL AND PROPRIETARY TO SYNTHEON INC. SYNTHEON INC. OWNS ALL RIGHTS IN AND TO THESE DRAWINGS AND MATERIALS, INCLUDING, BUT NOT LIMITED TO, COPYRIGHT, TRADE SECRET AND OTHER INTELLECTUAL PROPERTY RIGHTS. NO ONE MAY USE, COPY OR DISTRIBUTE ANY PORTION OF THESE DRAWINGS OR MATERIALS WITHOUT THE EXPRESS WRITTEN CONSENT OF SYNTHEON INC.

SYNTHEON INC. ASSUMES NO LIABILITY FROM INCORRECT APPLICATION OR INSTALLATION OF THE STEEL FRAMING SYSTEM. THE USE OF ANY COLD FORMED STEEL PRODUCTS THAT ARE NOT RECOMMENDED BY SYNTHEON INC. IS STRICTLY PROHIBITED AND WILL RESULT IN NULLIFICATION OF THE PROFESSIONAL ENGINEER'S SEAL AND ANY IMPLIED SUPPORT BY SYNTHEON INC. DESIGN GROUP. IF THE TITLE SHEET DOES NOT HAVE A PROFESSIONAL ENGINEERS STAMP THEN COMPLETE AND DETAILED EVALUATION FOR PRODUCT SUITABILITY MUST BE ACCOMPLISHED BY OWNER'S ARCHITECT OR STRUCTURAL ENGINEER.

**Revisions**

REV	Description	DATE

**SYNTHEON™**  
 ADVANCING THE BUILDING ENVELOPE  
 1555 Coraopolis Heights Road  
 Moon Township, Pennsylvania  
 Phone: 412-490-5037  
 Fax: 412-490-5066

**Project Information**

INLINE FRAMING GUIDE

Sheet Information  
 OFF LAYOUT FRAMING

DATE:	
SCALE:	NONE
DESIGNER:	
DRAWN BY:	BPC
CHECKED BY:	DKC

**IL-3**