

## Preface

This document is intended as a reference guide for design professionals and contractors who are interested in utilizing the accel-E panel system.

The material presented in this document has been prepared for the general information of the reader. While the material is believed to be technically correct and in accordance with recognized good practice at the time of publication, it should not be used without first securing competent advice with respect to its suitability for any given application. SYNTHEON Inc. does not warrant or assume liability for the suitability of the material for any general or particular use.

## Purpose

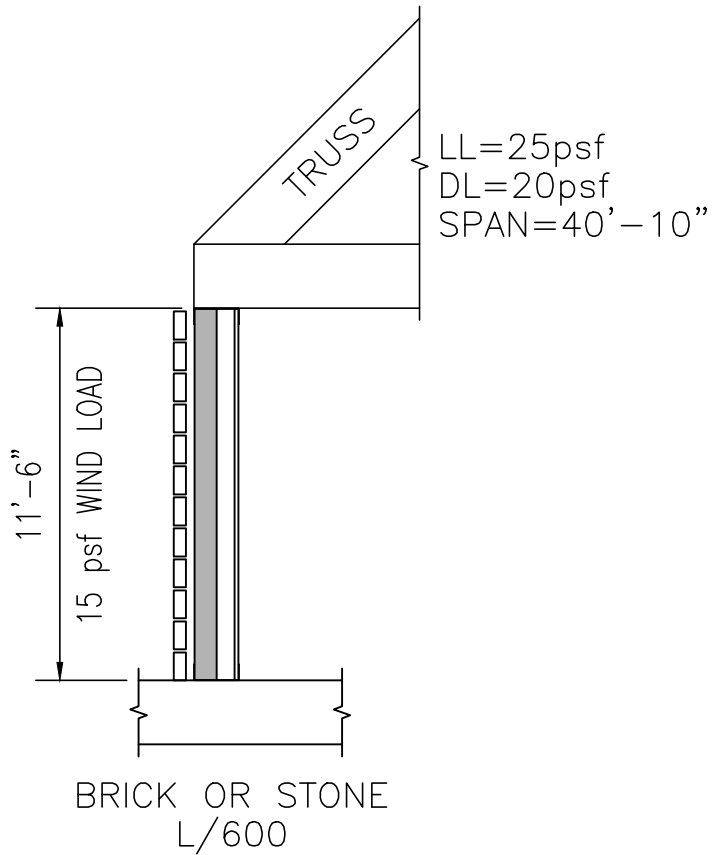
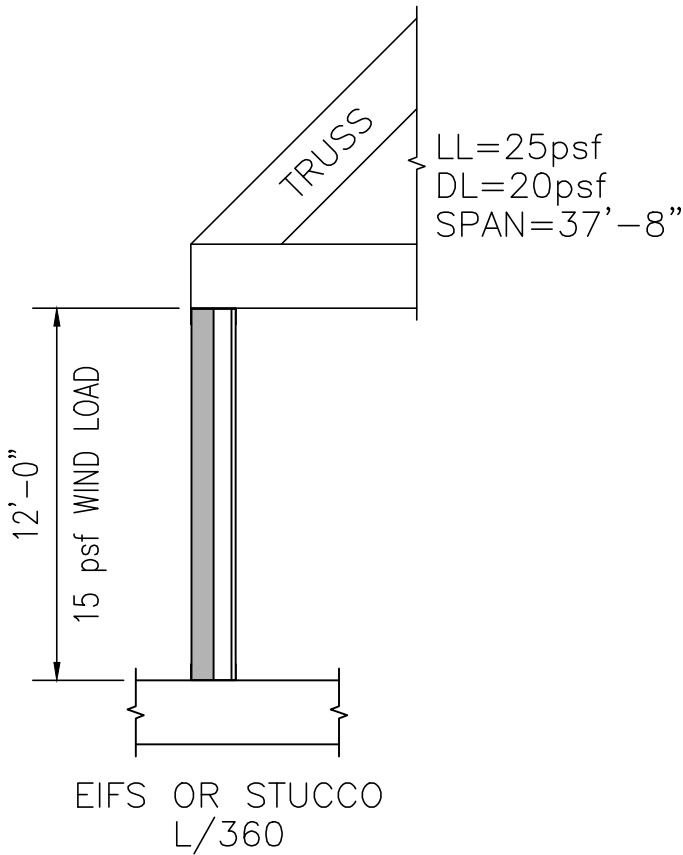
This reference guide has been prepared to illustrate examples of panel height limits for various loading conditions. The examples include:

1. Load Bearing and Non-Load Bearing
  - a. Single Story
  - b. Two Story
2. Two different deflection criteria for each loading condition:
  - a. L/360 (Stucco, EIFS)
  - b. L/600 (Brick, Stone)
3. Two different wind speeds:
  - a. 15 psf (approximately 80 to 90 mph basic wind speed)
  - b. 25 psf (approximately 90 to 110 mph basic wind speed)

Assumed Dead Loads and Live Loads:

1. Roof: DL = 20 psf, LL = 25 psf
2. Floor: DL = 15 psf, LL = 40 psf

*It is up to the design professional to determine the actual design loads for each individual project as required by all local and international codes. The height limitations indicated in this document were determined from the load tables included in the accel-E S.T.E.P. Code Compliance Research Report #0121 as issued by Architectural Testing, Inc. dated 8/20/09.*



WIND PRESSURE = 15psf

© COPYRIGHT SYNTHEON INC., ALL RIGHTS RESERVED. THESE DRAWINGS AND MATERIALS CONTAIN INFORMATION AND DESIGNS WHICH ARE CONFIDENTIAL AND PROPRIETARY TO SYNTHEON INC. SYNTHEON INC. OWNS ALL RIGHTS IN AND TO THESE DRAWINGS AND MATERIALS, INCLUDING, BUT NOT LIMITED TO, COPYRIGHT, TRADE SECRET AND OTHER INTELLECTUAL PROPERTY RIGHTS. NO ONE MAY USE, COPY OR DISTRIBUTE ANY PORTION OF THESE DRAWINGS OR MATERIALS WITHOUT THE EXPRESS WRITTEN CONSENT OF SYNTHEON INC.

SYNTHEON INC. ASSUMES NO LIABILITY FROM INCORRECT APPLICATION OR INSTALLATION OF THE STEEL FRAMING SYSTEM. THE USE OF ANY COLD FORMED STEEL PRODUCTS THAT ARE NOT RECOMMENDED BY SYNTHEON INC. IS STRICTLY PROHIBITED AND WILL RESULT IN NULLIFICATION OF THE PROFESSIONAL ENGINEER'S SEAL AND ANY IMPLIED SUPPORT BY SYNTHEON INC. DESIGN GROUP. IF THE TITLE SHEET DOES NOT HAVE A PROFESSIONAL ENGINEERS STAMP THEN COMPLETE AND DETAILED EVALUATION FOR PRODUCT SUITABILITY MUST BE ACCOMPLISHED BY OWNER'S ARCHITECT OR STRUCTURAL ENGINEER.

Revisions

REV	Description	DATE



1555 Coraopolis Heights Road  
Moon Township, Pennsylvania  
Phone: 412-490-5037  
Fax: 412-490-5066



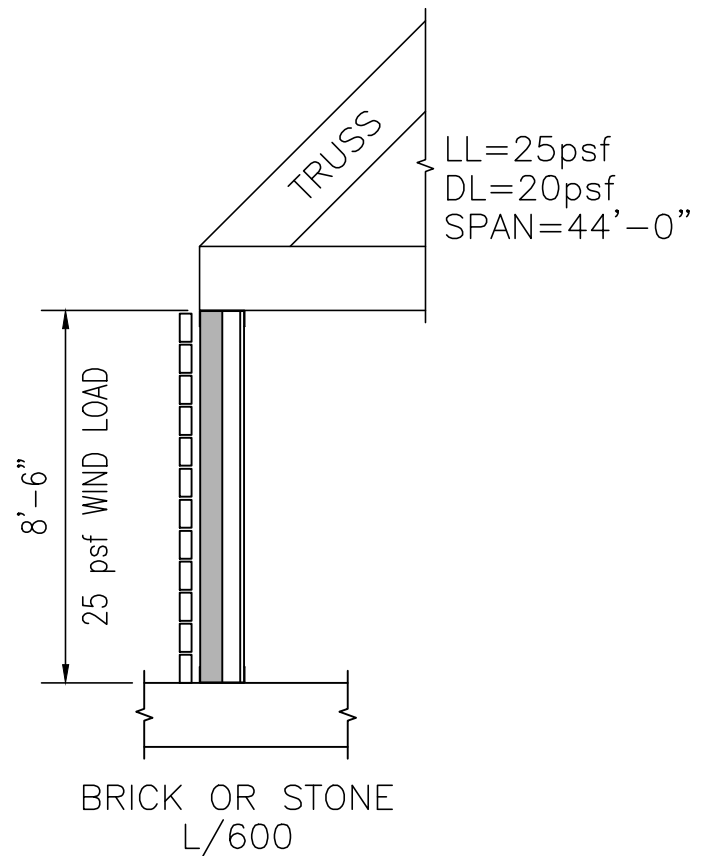
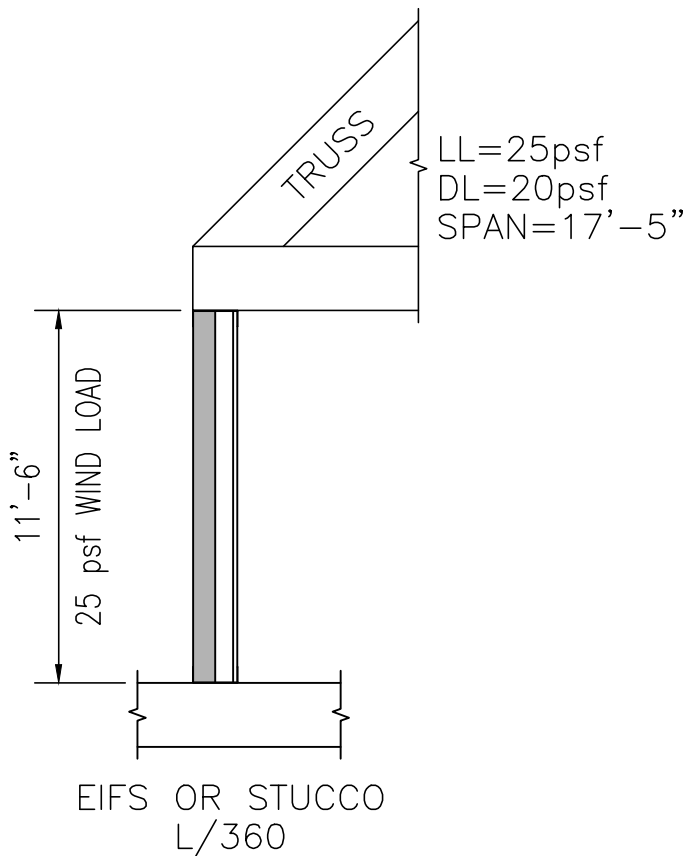
Project Information

JOB#  
5 1/2" REFERENCE  
DESIGN HEIGHTS  
EXTERIOR LOAD  
BEARING

Sheet Information

DATE:	
SCALE:	NONE
DESIGNER:	
DRAWN BY:	BPC
CHECKED BY:	

**PLG1**



WIND PRESSURE = 25psf

© COPYRIGHT SYNTHEON INC., ALL RIGHTS RESERVED. THESE DRAWINGS AND MATERIALS CONTAIN INFORMATION AND DESIGNS WHICH ARE CONFIDENTIAL AND PROPRIETARY TO SYNTHEON INC. SYNTHEON INC. OWNS ALL RIGHTS IN AND TO THESE DRAWINGS AND MATERIALS, INCLUDING, BUT NOT LIMITED TO, COPYRIGHT, TRADE SECRET AND OTHER INTELLECTUAL PROPERTY RIGHTS. NO ONE MAY USE, COPY OR DISTRIBUTE ANY PORTION OF THESE DRAWINGS OR MATERIALS WITHOUT THE EXPRESS WRITTEN CONSENT OF SYNTHEON INC.

SYNTHEON INC. ASSUMES NO LIABILITY FROM INCORRECT APPLICATION OR INSTALLATION OF THE STEEL FRAMING SYSTEM. THE USE OF ANY COLD FORMED STEEL PRODUCTS THAT ARE NOT RECOMMENDED BY SYNTHEON INC. IS STRICTLY PROHIBITED AND WILL RESULT IN NULLIFICATION OF THE PROFESSIONAL ENGINEER'S SEAL AND ANY IMPLIED SUPPORT BY SYNTHEON INC. DESIGN GROUP. IF THE TITLE SHEET DOES NOT HAVE A PROFESSIONAL ENGINEER'S STAMP THEN COMPLETE AND DETAILED EVALUATION FOR PRODUCT SUITABILITY MUST BE ACCOMPLISHED BY OWNER'S ARCHITECT OR STRUCTURAL ENGINEER.

**Revisions**

REV	Description	DATE

**SYNTHEON**  
ADVANCING THE BUILDING ENVELOPE

1555 Coraopolis Heights Road  
Moon Township, Pennsylvania  
Phone: 412-490-5037  
Fax: 412-490-5066

**accetE**  
Steel Thermal Efficient Panel

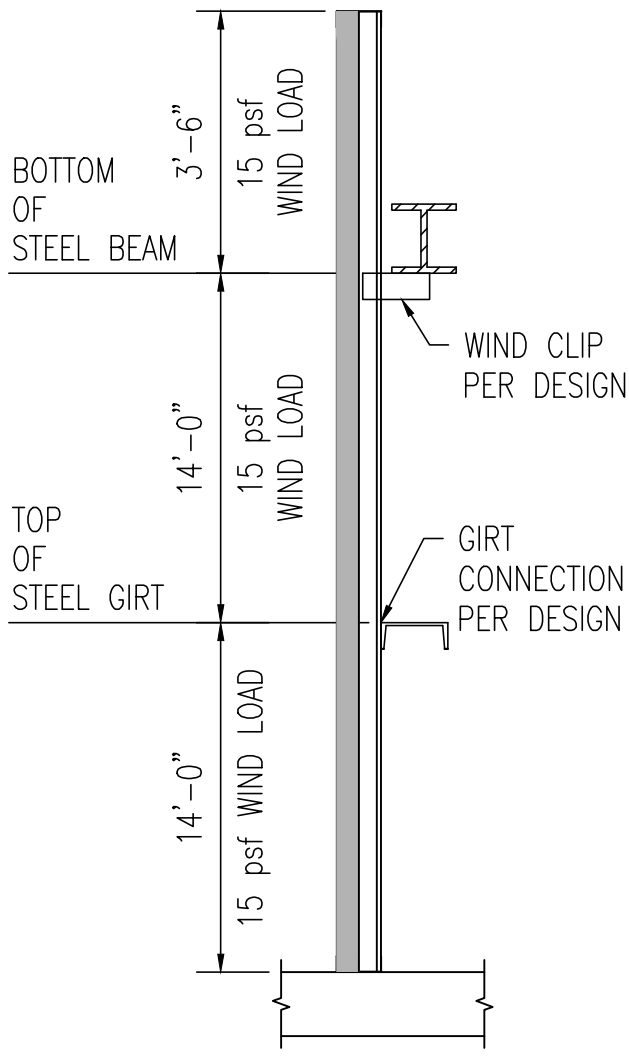
**Project Information**

JOB#  
5 1/2" REFERENCE  
DESIGN HEIGHTS  
EXTERIOR LOAD  
BEARING

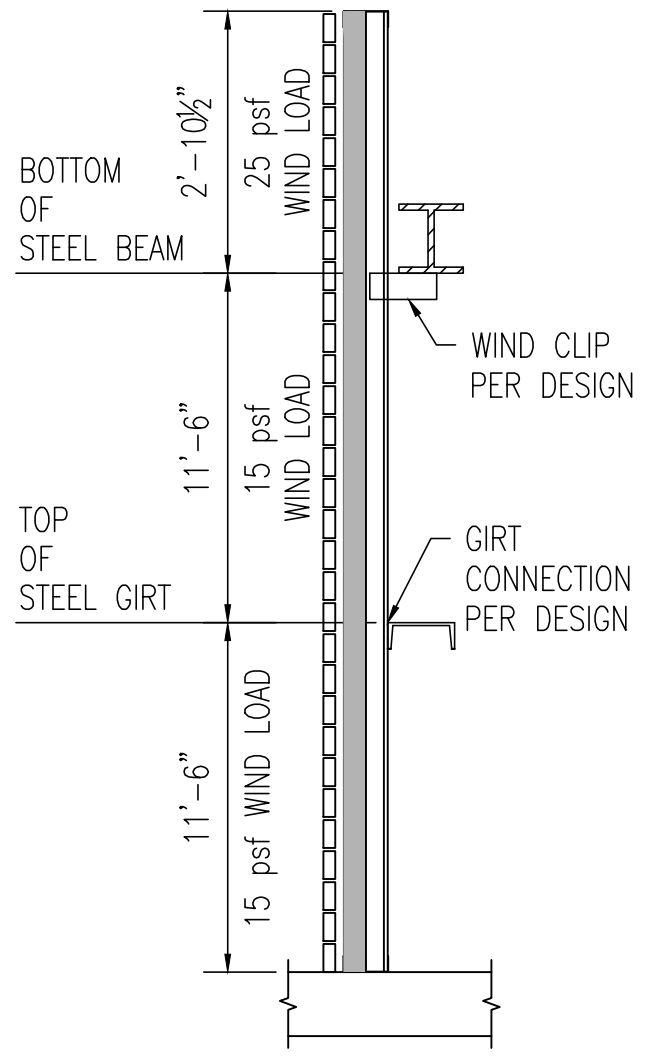
**Sheet Information**

DATE:	
SCALE:	NONE
DESIGNER:	
DRAWN BY:	BPC
CHECKED BY:	

**PLG2**



EIFS OR STUCCO  
L/360



BRICK OR STONE  
L/600

WIND PRESSURE = 15psf

© COPYRIGHT SYNTHEON INC. ALL RIGHTS RESERVED. THESE DRAWINGS AND MATERIALS CONTAIN INFORMATION AND DESIGNS WHICH ARE CONFIDENTIAL AND PROPRIETARY TO SYNTHEON INC. SYNTHEON INC. OWNS ALL RIGHTS IN AND TO THESE DRAWINGS AND MATERIALS, INCLUDING, BUT NOT LIMITED TO, COPYRIGHT, TRADE SECRET AND OTHER INTELLECTUAL PROPERTY RIGHTS. NO ONE MAY USE, COPY OR DISTRIBUTE ANY PORTION OF THESE DRAWINGS OR MATERIALS WITHOUT THE EXPRESS WRITTEN CONSENT OF SYNTHEON INC.

SYNTHEON INC. ASSUMES NO LIABILITY FROM INCORRECT APPLICATION OR INSTALLATION OF THE STEEL FRAMING SYSTEM. THE USE OF ANY COLD FORMED STEEL PRODUCTS THAT ARE NOT RECOMMENDED BY SYNTHEON INC. IS STRICTLY PROHIBITED AND WILL RESULT IN NULLIFICATION OF THE PROFESSIONAL ENGINEER'S SEAL AND ANY IMPLIED SUPPORT BY SYNTHEON INC. DESIGN GROUP. IF THE TITLE SHEET DOES NOT HAVE A PROFESSIONAL ENGINEERS STAMP THEN COMPLETE AND DETAILED EVALUATION FOR PRODUCT SUITABILITY MUST BE ACCOMPLISHED BY OWNER'S ARCHITECT OR STRUCTURAL ENGINEER.

REV	Description	DATE

**SYNTHEON**  
ADVANCING THE BUILDING ENVELOPE

1555 Coraopolis Heights Road  
Moon Township, Pennsylvania  
Phone: 412-490-5037  
Fax: 412-490-5066

**accetE**  
Steel Thermal Efficient Panel

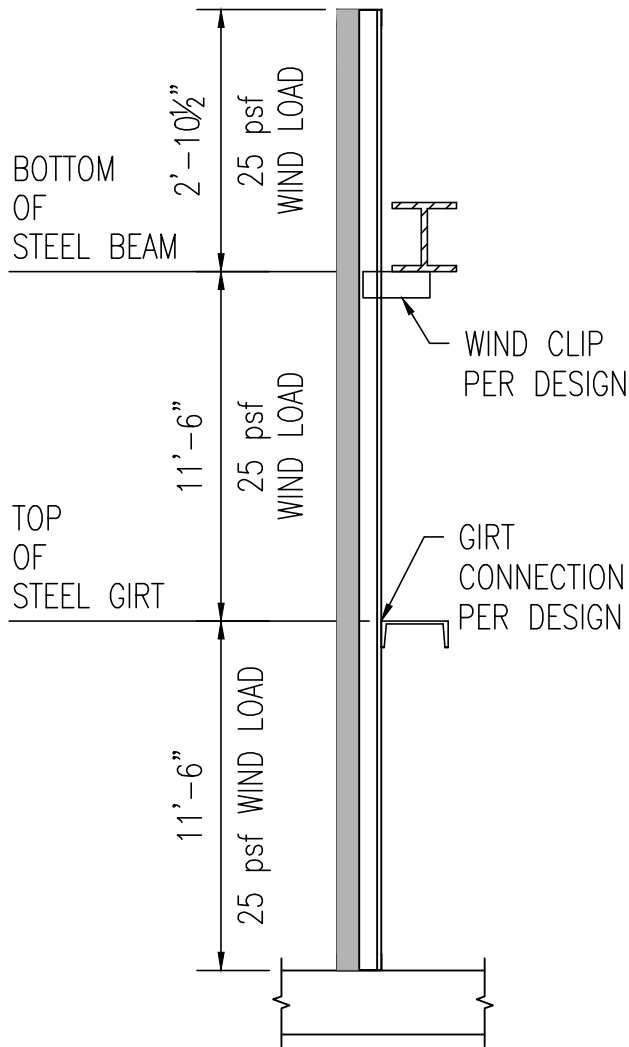
**Project Information**

JOB#  
5 1/2" REFERENCE  
DESIGN HEIGHTS  
EXTERIOR NON-LOAD  
BEARING

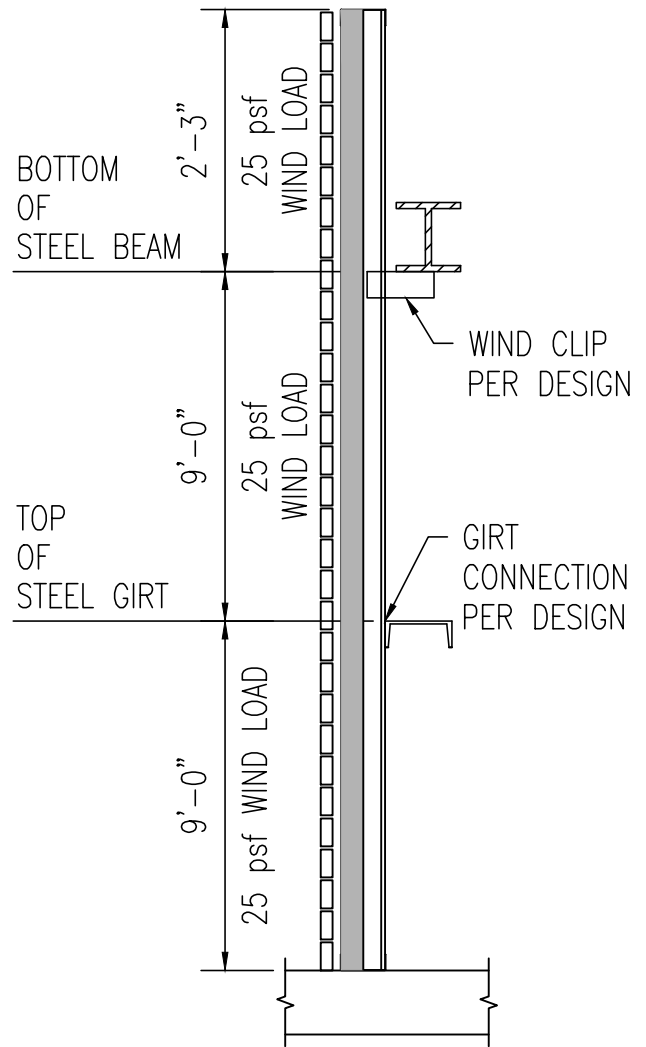
**Sheet Information**

DATE:	
SCALE:	NONE
DESIGNER:	
DRAWN BY:	BPC
CHECKED BY:	

**PLG9**



EIFS OR STUCCO  
L/360



BRICK OR STONE  
L/600

WIND PRESSURE = 25psf

© COPYRIGHT SYNTHEON INC. ALL RIGHTS RESERVED. THESE DRAWINGS AND MATERIALS CONTAIN INFORMATION AND DESIGNS WHICH ARE CONFIDENTIAL AND PROPRIETARY TO SYNTHEON INC. SYNTHEON INC. OWNS ALL RIGHTS IN AND TO THESE DRAWINGS AND MATERIALS, INCLUDING, BUT NOT LIMITED TO, COPYRIGHT, TRADE SECRET AND OTHER INTELLECTUAL PROPERTY RIGHTS. NO ONE MAY USE, COPY OR DISTRIBUTE ANY PORTION OF THESE DRAWINGS OR MATERIALS WITHOUT THE EXPRESS WRITTEN CONSENT OF SYNTHEON INC.

SYNTHEON INC. ASSUMES NO LIABILITY FROM INCORRECT APPLICATION OR INSTALLATION OF THE STEEL FRAMING SYSTEM. THE USE OF ANY COLD FORMED STEEL PRODUCTS THAT ARE NOT RECOMMENDED BY SYNTHEON INC. IS STRICTLY PROHIBITED AND WILL RESULT IN NULLIFICATION OF THE PROFESSIONAL ENGINEER'S SEAL AND ANY IMPLIED SUPPORT BY SYNTHEON INC. DESIGN GROUP. IF THE TITLE SHEET DOES NOT HAVE A PROFESSIONAL ENGINEER'S STAMP THEN COMPLETE AND DETAILED EVALUATION FOR PRODUCT SUITABILITY MUST BE ACCOMPLISHED BY OWNER'S ARCHITECT OR STRUCTURAL ENGINEER.

Revisions

REV	Description	DATE



1555 Coraopolis Heights Road  
Moon Township, Pennsylvania  
Phone: 412-490-5037  
Fax: 412-490-5066



Project Information

JOB#  
5 1/2" REFERENCE  
DESIGN HEIGHTS  
EXTERIOR NON-LOAD  
BEARING

Sheet Information

DATE:	
SCALE:	NONE
DESIGNER:	
DRAWN BY:	BPC
CHECKED BY:	

**PLG10**